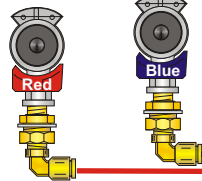


APPLICATION: 1 Axle 2S1MAG TOWING TRAILER HALDEX SELECT OPTIONAL SYSTEMS

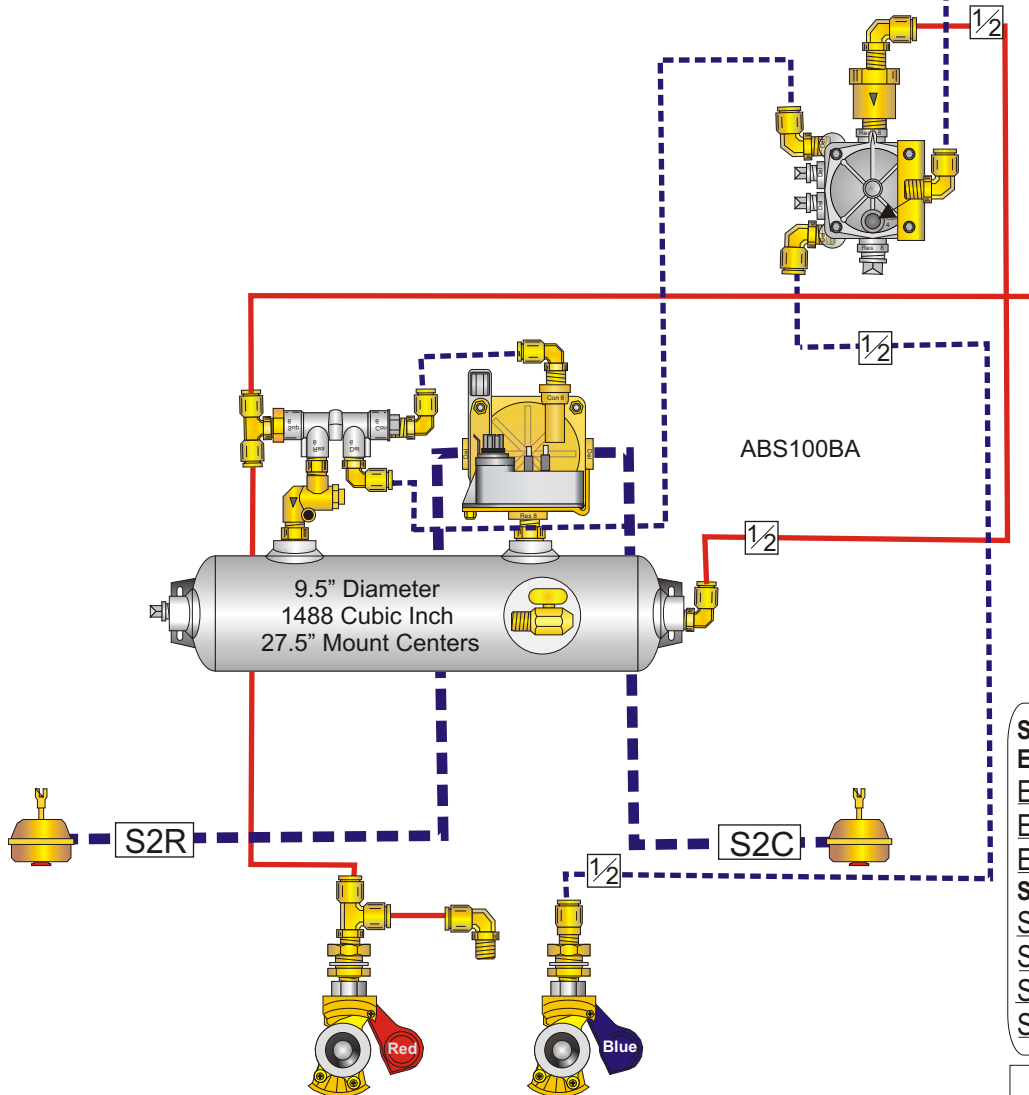
PART #: **PAK2S1MTA-1-H9**

- CONTENTS:
- Glad hand assemblies
 - Air tank with installed drain valve and plugged unused ports
 - Air tank mounting kit with pads, bolts, washers and lock nuts
 - Brake valve(s) are installed and include push to connect fittings
 - Hoses with swivel hose ends are installed to valve(s)
 - Two speed sensors, sensor bushings and sensor extensions
 - Hose separators and sensor cable retainers

Supply Service



SPECIFY YOUR HOSE LENGTHS BELOW



SPECIFY HOSE LENGTH IN INCHES
EMERGENCY:

E1R	E1C
E2R	E2C
E3R	E3C

SERVICE:

S1R	S1C
S2R	S2C
S3R	S3C
S4R	S4C

— Service Hose — Supply Hose
- - - Service Tube - - - Supply Tube

Specifications:

Hoses meet J1402 & JT106 specifications and are 3/8 ID unless otherwise noted. Reservoirs meet J10B specifications
 Pipe fittings are brass or plated SH80 steel. Push-in style 3/8 tube fittings standard. ABS Electronics pre-tested before shipment.